

CAL 484

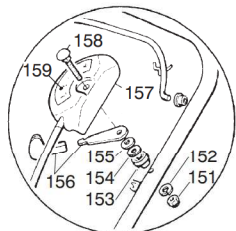
CAL 534

CHASSIS
MANICO
COMANDI
DOTAZIONE VITERIE

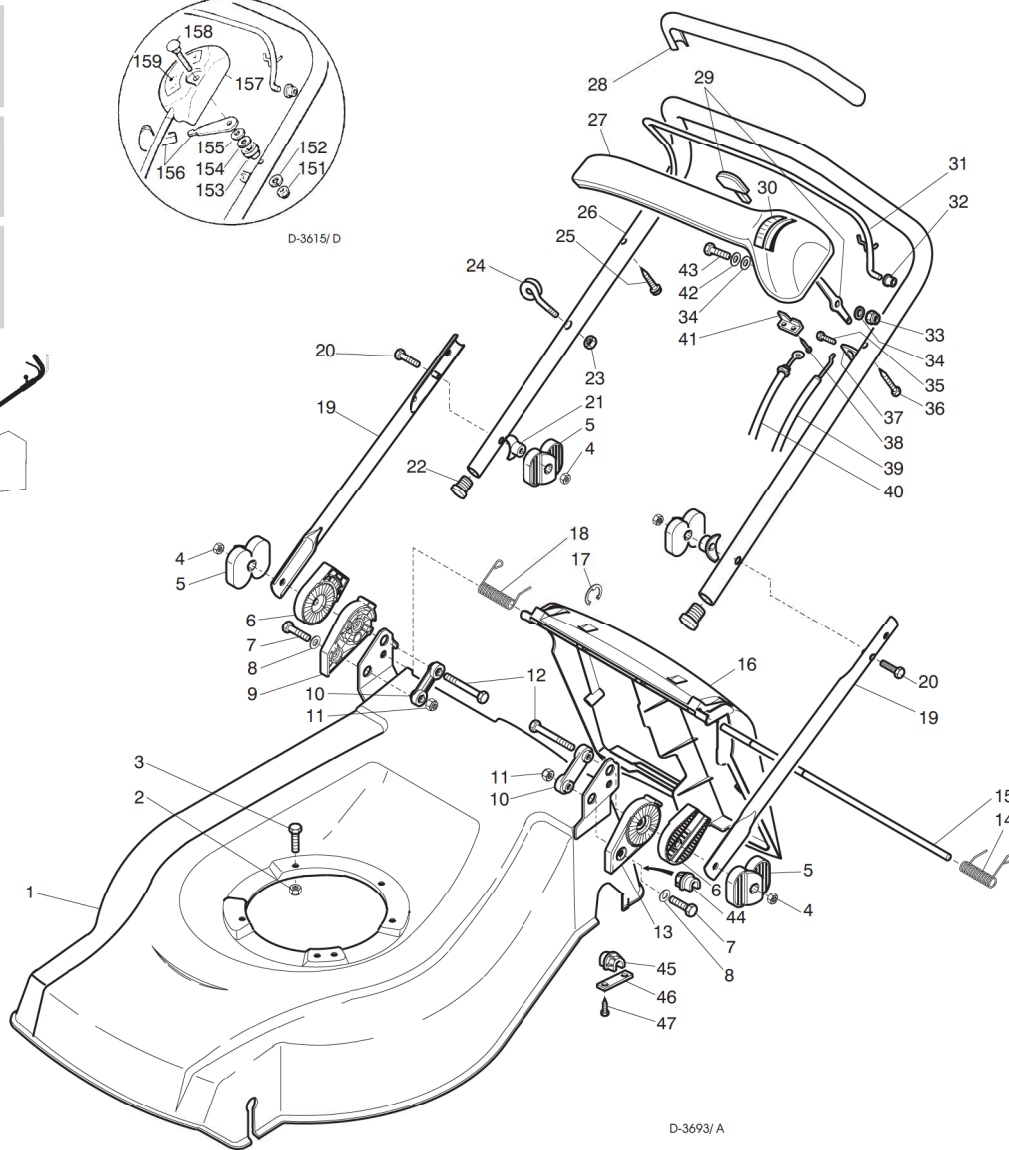
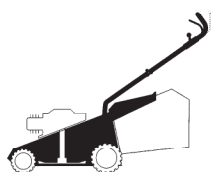
DECK
HANDLE
CONTROLS
SCREWS OUTFITS

CHÂSSIS
MANCHERON
COMMANDES
DOTATION VISSERIE

GEHÄUSE
HOLM
BETÄTIGUNGEN
SCRAUBENSATZ



D-3615/D



D-3693/A

SPARE PARTS CATALOGUE

GB

ERSATZTEILKATALOG

D

CATALOGO DELLE PARTI
DI RICAMBIO

I

CATALOGUE DES PIÈCES
DE RECHANGE

F

T-3693/A

Pos. Nr.	Codice Code Kodex	Q.tà Q.ty-Q.tè Menge	Descrizione	Description	Description	Beschreibung
1		1	CHASSIS	DECK	CHÂSSIS	GEHÄUSE
—	81001815/0	1	ROSSO CAL 484	RED CAL 484	ROUGE CAL 484	ROTES CAL 484
—	81001816/0	1	GIALLO CAL 484	YELLOW CAL 484	JAUNE CAL 484	GELBES CAL 484
—	81001817/0	1	VERDE CAL 484	GREEN CAL 484	VERT CAL 484	GRÜNES CAL 484
—	81001847/0	1	ARANCIONE CAL 484	ORANGE CAL 484	ORANGE CAL 484	ORANGE CAL 484
—	81001821/0	1	ROSSO CAL 534	RED CAL 534	ROUGE CAL 534	ROTES CAL 534
—	81001822/0	1	GIALLO CAL 534	YELLOW CAL 534	JAUNE CAL 534	GELBES CAL 534
—	81001823/0	1	VERDE CAL 534	GREEN CAL 534	VERT CAL 534	GRÜNES CAL 534
—	81001849/0	1	ARANCIONE CAL 534	ORANGE CAL 534	ORANGE CAL 534	ORANGE CAL 534
2	12293201/0	3/2	DADO	NUT	ECROU	MUTTER
—	12155000/0	0/1	DADO	NUT	ECROU	MUTTER
3			VITE	SCREW	VIS	SCHRAUBE
—	12793700/0	3/2	(M8X30)	(M8X30)	(M8X30)	(M8X30)
—	12691800/0	0/1	(M8X60)	(M8X60)	(M8X60)	(M8X60)
4	12293202/0	4	DADO	NUT	ECROU	MUTTER
5	22399803/0	4	MANOPOLINA	KNOB	POIGNÉE	GRIF
6	22785081/0	2	SUPPORTO ESTERNO	EXTERNAL SUPPORT	SUPPORT EXTERNE	AUßERE HALTERUNG
7	12793701/0	2	VITE	SCREW	VIS	SCHRAUBE

T-3675/ A

Pos. Nr.	Codice Code Kodex	Q.tà Q.ty-Q.tè Menge	Descrizione	Description	Description	Beschreibung
8	12521350/0	2	RONDELLA	WASHER	RONDELLE	SCHEIBE
9	22785082/0	1	SUPPORTO INTERNO DX	R. INTERNAL SUPPORT	SUPPORT INTERNE DROIT	INNERE HALTERUNG RECHTS
10	22551575/0	2	PIASTRINA INTERNA	INSIDE PLAQUE	PLAQUETTE INTERNE	INNERE PLATTE
11	12155000/0	2	DADO	NUT	ECROU	MUTTER
12	12691810/0	2	VITE	SCREW	VIS	SCHRAUBE
13	22785083/1	1	SUPPORTO INTERNO SX	L. INTERNAL SUPPORT	SUPPORT INTERNE GAUCHE	INNERE HALTERUNG LINKS
14	22450420/1	1	MOLLA SX	LEFT SPRING	RESSORT GAUCHE	LINKE FEDER
15	22517906/1	1	PERNO	PIN	PIVOT	BOLZEN
16	22600063/0	1	PARASASSI	STONE-GUARD	PARE-PIERRES	PRALLBLECH
17	12000930/0	1	ANELLO ELASTICO	SNAP RING	ANNEAU RESSORT	SPRENGRING
18	22450410/1	1	MOLLA DX	RIGHT SPRING	RESSORT DROITE	RECHTE FEDER
19	81006975/0	2	PARTE INF. MANICO	LOWER HANDLE	PARTIE INF. MANCHERON	UNTERHOLM
20	12819125/0	1	VITE	SCREW	VIS	SCHRAUBE
21	22680006/1	2	RONDELLA	WASHER	RONDELLE	SCHEIBE
22	18566112/0	2	PUNTALE	IN TINE	À L'HEURE	PÜNTLICH
23	12154330/0	1	DADO	NUT	ECROU	MUTTER
24	22430309/0	1	MOLLA GUIDA	GUIDE SPRING	RESSORT DE GUIDE	FEDER FÜHRER
25	22943006/0	1	VITE	SCREW	VIS	SCHRAUBE
26	81006977/0	1	PARTE SUP. MANICO	UPPER HANDLE	PARTIE SUP. MANCHERON	OBERHOLM
27			CRUSCOTTO	DASH BOARD	CONSOLE	KONSOLE
—	22120154/0	1	ROSSO	RED	ROUGE	ROTE
—	22120152/0	1	GIALLO	YELLOW	JAUNE	GELBE
—	22120158/0	1	NERO	BLACK	NOIRE	SCHWARZE
28			IMPUGNATURA MANICO	HANDGRIP	POIGNÉE	HANDGRIFF
—	22291050/0	1	NERA	BLACK	NOIRE	SCHWARZER
—	22291051/0	1	ROSSA	RED	ROUGE	RÖTER
—	22291052/0	1	GIALLA	YELLOW	JAUNE	GELBER
29	81007280/2	1	ASS. LEVA + MANOPOLINA	LEVER + KNOB ASS. Y	ENS. LEVIER + POIGNÉE	HEBEL + GRIFF SATZ
30			ETICHETTA	LABEL	ETIQUETTE	ETIKETTE
—	14356743/0	1	(TECUMSEH-HONDA)	(TECUMSEH-HONDA)	(TECUMSEH-HONDA)	(TECUMSEH-HONDA)
—	14356744/0	1	(B&S)	(B&S)	(B&S)	(B&S)
31	81003291/2	1	LEVA FRENO MOTORE	BRAKE LEVER	LEVIER FREIN MOTEUR	MOTORBREMSEHEBEL
32	22041966/0	2	BOCCOLA	BUSH	DOUILLE	BUCHSE
33	12154510/0	1	DADO	NUT	ECROU	MUTTER
34	12523040/0	2	RONDELLA	WASHER	RONDELLE	SCHEIBE
35	12728518/0	1	VITE	SCREW	VIS	SCHRAUBE
36	12728460/0	1	VITE	SCREW	VIS	SCHRAUBE
37	22806612/0	1	SUPPORTO	SUPPORT	SUPPORT	HALTER
38	12735105/0	2	VITE	SCREW	VIS	SCHRAUBE
39	81007160/0	1	CAVO ACCELERATORE	THROTTLE CABLE	CABLE ACCELERATEUR	BESCHLEUNIGER KABEL
40			CAVO FRENO MOTORE	THREAD MOTOR BRAKE	CABLE FREIN MOYEUR	MOTORBREMSEKABEL
—	81000629/1	1	CAL 484 (TECUMSEH)	CAL 484 (TECUMSEH)	CAL 484 (TECUMSEH)	CAL 484 (TECUMSEH)
—	81000631/0	1	CAL 484 (QUANTUM XM)	CAL 484 (QUANTUM XM)	CAL 484 (QUANTUM XM)	CAL 484 (QUANTUM XM)
—	81000625/0	1	CAL 484 (QUATTRO)	CAL 484 (QUATTRO)	CAL 484 (QUATTRO)	CAL 484 (QUATTRO)
—	81000641/0	1	CAL 484 (HONDA GCV 135/ 160)	CAL 484 (HONDA GCV 135/ 160)	CAL 484 (HONDA GCV 135/ 160)	CAL 484 (HONDA GCV 135/ 160)
—	81000642/0	1	CAL 534 (QUANTUM XM)	CAL 534 (QUANTUM XM)	CAL 534 (QUANTUM XM)	CAL 534 (QUANTUM XM)
—	81000643/0	1	CAL 534 (QUATTRO)	CAL 534 (QUATTRO)	CAL 534 (QUATTRO)	CAL 534 (QUATTRO)
—	81000644/0	1	CAL 534 (TECUMSEH)	CAL 534 (TECUMSEH)	CAL 534 (TECUMSEH)	CAL 534 (TECUMSEH)
—	81000640/0	1	CAL 534 (HONDA GCV 135/ 160)	CAL 534 (HONDA GCV 135/ 160)	CAL 534 (HONDA GCV 135/ 160)	CAL 534 (HONDA GCV 135/ 160)
41	22981467/0	1	PIASTRINA	PLAQUE	PLAQUETTE	PLATTE
42	12530060/0	1	RONDELLA ELASTICA	SPRING WASHER	RONDELLE ELASTIQUE	ELASTISCHE SCHEIBE
43	12791500/0	1	VITE	SCREW	VIS	SCHRAUBE
44	22038402/0	1	BRONZINA DESTRA	RIGHT BUSH	DOUILLE DROITE	RECHTE BUCHSE
45	22038403/0	1	BRONZINA SINISTRA	LEFT BUSH	DOUILLE GAUCHE	LINKE BUCHSE
46	22545142/0	2	PIASTRINA	PLATE	PLAQUETTE	PLATTE
47	12737350/0	4	VITE	SCREW	VIS	SCHRAUBE
—	81008633/0	1	DOTAZIONE VITERIA	SCREWS OUTFIT	DOTATION VISSERIE	SCHRAUBEN SATZ
—	81008609/0	1	DOTAZIONE CRUSCOTTO	DASH-BOARD OUTFIT	DOTATION CONSOLE	KONSOLE SATZ

T-3615/ D

			VARIANTE ACCELERATORE	THROTTLE VARIANTS	VARIANTES COMMANDE D'ACCELERATION	ÄNDERUNGEN AUF GASHEBEL
151	12291000/0	1	DADO	NUT	ECROU	MUTTER
152	12581500/0	1	GROWER	GROWER	GROWER	FEDERRING
153	22171005/0	1	DISTANZIALE	SPACER	ENTRETOISE	DISTANZRING
154	12521360/0	1	RONDELLA	WASHER	RONDELLE	SCHEIBE
155	12508100/0	1	RONDELLA ELASTICA	SPRING WASHER	RONDELLE ELASTIQUE	ELASTISCHE SCHEIBE
156	81007279/0	1	ASS. LEVA + MANOPOLINA	LEVER + KNOB ASS.Y	ENS. LEVIER + POIGNEE	HEBEL + GRIFF SATZ
157	81007080/0	1	ASSIEME ACCELERATORE	TROTTLER UNIT ASS.Y	ENS. ACCELERATEUR	BESCHLEUNIGER SATZ
158	12815000/0	1	VITE	SCREW	VIS	SCHRAUBE
159			ETICHETTA	LABEL	ETIQUETTE	ETIKETTE
—	14356702/0	1	(TECUMSEH-HONDA)	(TECUMSEH-HONDA)	(TECUMSEH-HONDA)	(TECUMSEH-HONDA)
—	14356703/0	1	(B&S)	(B&S)	(B&S)	(B&S)

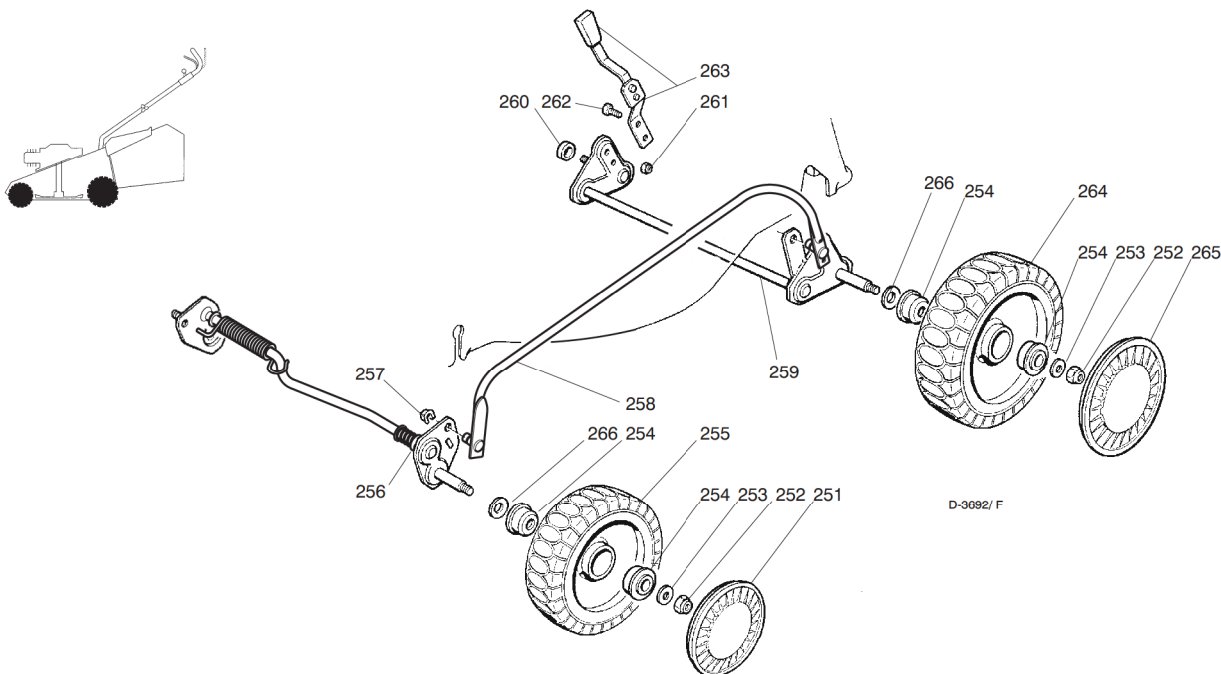
Pos. Nr.	Codice Code Kodex	Q.tà Q.ty-Q.tè Menge	Descrizione	Description	Description	Beschreibung
----------	-------------------	----------------------	-------------	-------------	-------------	--------------

RUOTE E REGOLAZIONE

WHEELS AND HEIGHT ADJUSTING

ROUES ET REGLAGE HAUTER DE COUPE

RÄDER UND SCHNITTHÖHEVERSTELLUNG

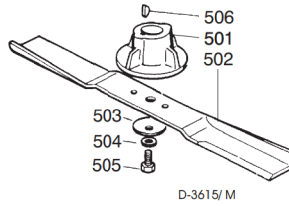
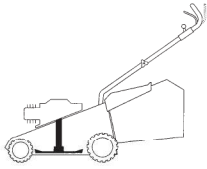


T-3693/F

251			COPRIMOZZO	HUB CAP	COUVRE-MOYEU	RADKAPPE
—	22110282/0	2	BIANCO	WHITE	BLANC	WEIÙE
—	22110288/0	2	GIALLO	YELLOW	JAUNE	GELB
—	22110290/0	2	ROSSO	RED	ROUGE	ROTE
—	22110300/0	2	GRIGIO	GREY	GRIS	GRAU
252	12155000/0	4	DADO	NUT	ECROU	MUTTER
253	12521350/0	4	RONDELLA	WASHER	RONDELLE	SCHEIBE
254	22122200/0	8	CUSCINETTO	BEARING	COUSSINET	KUGELLAGER
255	81007317/0	2	RUOTA SCOLPITA Ø 170	KNOBBLY WHEEL Ø 170	ROUE SCULPTEE Ø 170	RAD M. STOLLENPR. Ø 170
256			ASSE RUOTE ANTERIORE	INSIDE PLAQUE	PLAQUETTE INTERNE	INNERE PLATTE
—	81000141/0	1	CAL 484	CAL 484	CAL 484	CAL 484
—	81000143/0	1	CAL 534	CAL 534	CAL 534	CAL 534
257	12436050/0	2	PIASTRINA	PLATE	PLAQUETTE	PLATTCHEN
258			ASTA COMANDO	ADJUSTMENT ROD	TIGE COMMANDE	STELLSTAB
—	81006481/0	1	CAL 484	CAL 484	CAL 484	CAL 484
—	81006483/0	1	CAL 534	CAL 534	CAL 534	CAL 534
259	81001278/0	1	ASSE RUOTE POSTERIORE	REAR WHEELS AXEL	AXE ROUES ARRIERE	HINTERRADACHSE
260	22170800/0	1	DISTANZIALE	SPACER	ENTRETOISE	DISTANZRING
261	12154330/0	2	DADO	NUT	ECROU	MUTTER
262	12789000/0	2	VITE	SCREW	VIS	SCHRAUBE
263	81003283/1	1	LEVA REGOLAZIONE	ADJUSTMENT LEVER	LEVIER REGLAGE	VERSTELLUNGHEBEL
264	81007318/1	2	RUOTA SCOLPITA Ø 210	KNOBBLY WHEEL Ø 210	ROUE SCULPTEE Ø 210	RAD M. STOLLENPR. Ø 210
265			COPRIMOZZO	HUB CAP	COUVRE-MOYEU	RADKAPPE
—	22110281/0	2	BIANCO	WHITE	BLANC	WEIÙE
—	22110287/0	2	GIALLO	YELLOW	JAUNE	GELB
—	22110289/0	2	ROSSO	RED	ROUGE	ROTE
—	22110301/0	2	GRIGIO	GREY	GRIS	GRAU
266	12530150/0	1	RONDELLA ELASTICA	ELASTIC WASHER	RONDELLE ELASTIQUE	ELASTISCHE SCHEIBE

Pos. Nr.	Codice Code Kodex	Q.tà Q.ty-Q.tè Menge	Descrizione	Description	Description	Beschreibung
----------	-------------------	----------------------	-------------	-------------	-------------	--------------

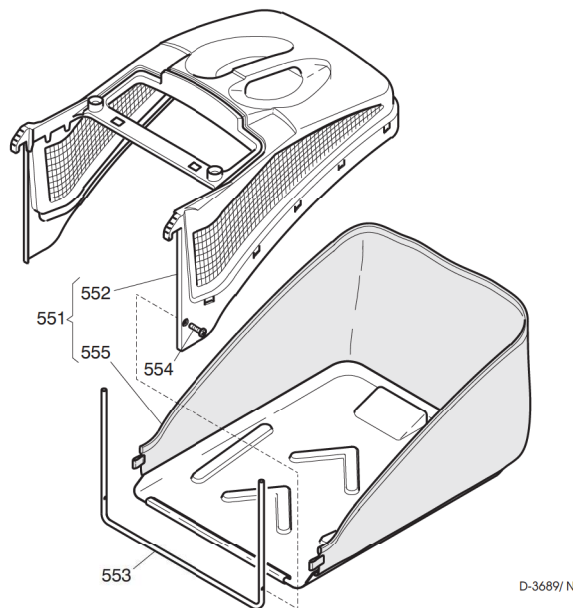
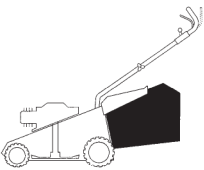
- GRUPPO COLTELLO**
- BLADE ASS.Y**
- GROUPE LAME**
- MESSERSATZ**



T-3690/ M

501	22463012/ 1	1	MOZZO	HUB	MOYEU	HALTER
502	81004346/ 2	1	COLTELLO	BLADE	LAME	MESSER
—	81004397/ 0	1	STANDARD 46 cm.	STANDARD 46 cm.	STANDARD 46 cm.	STANDARD 46 cm.
—	81004397/ 0	1	ALETTATO 46 cm.	WINGED 46 cm.	AILETTÉE 46 cm.	FLÜGEL 46 cm
—	81004381/ 0	1	STANDARD 51 cm.	STANDARD 51 cm.	STANDARD 51 cm.	STANDARD 51 cm.
—	81004398/ 0	1	ALETTATO 51 cm.	WINGED 51 cm.	AILETTÉE 51 cm.	FLÜGEL 51 cm
503	22160400/ 0	1	DISCO ELASTICO	ELASTIC WASHER	RONDELLE ELASTIQUE	ELASTISCHE SCHEIBE
504	12523080/ 0	1	RONDELLA	WASHER	RONDELLE	SCHEIBE
505	12735698/ 0	1	VITE	SCREW	VIS	SCHRAUBE
506	12139100/ 0	1	LINGUETTA	FEATHER	CLAVETTE	KEIL

- SACCO RACCOGLIERBA**
- GRASS-CATCHER**
- BAC DE RAMASSAGE**
- GRASFANGKORB**



T-3689/ N

551	91000010/ 0	1	SACCO COMPLETO	COMPLETE GRASS-BOX	SAC COMPLET	KOMPLETTER KORB
552	22486086/ 0	1	PORTE SUP. SACCO	UPPER GRASS BOX	PARTIE SUP. SAC	OBERKORB
553	22608523/ 0	1	RINFORZO INF.	DOLON REINFORCEMENT	RÉNFORCEMENT INFÉRIEUR	UNTER STÜTZE
554	12728445/ 0	1	VITE	SCREW	VIS	SCHRAUBE
555	81002180/ 0	1	TELA SACCO	FABRIC BOX	TOILE POUR SAC	TUCK FÜR SACK